



# INSTALLATION INSTRUCTIONS

<b>Product</b> 7160-1253 <b>GETAC UX10 TABLET CRADLE</b>	<b>Revision</b> Rev. C	<b>Form</b> INST-964  Printing Spec: PS-001
--	---------------------------	--

This instruction sheet is for the Getac UX10 TABLET cradle only. For instructions on features, set-up, and operation of the computer, please refer to the manual provided by Getac with the computer.

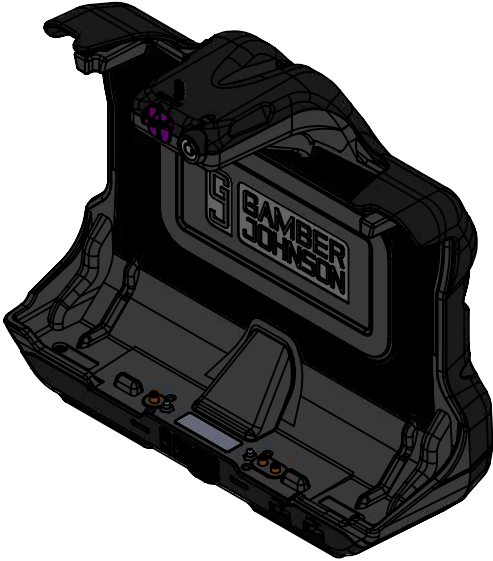
This docking station is designed to be used with a variety of Gamber-Johnson mounting systems. Installation instructions for other Gamber-Johnson products are provided with each individual product.

This instruction sheet is for the following products:

- Item No. 7160-1253-00** No RF (External Power Supply sold separately)
- Item No. 7160-1253-03** Tri RF (External Power Supply sold separately)

Getac recommends using the following Power Adapters to power the docking station. They can be ordered from Gamber-Johnson separately.

- 7300-0471** - Auto (12-32 Vdc input)
- 7300-0413** - Isolated (12-32 Vdc input)
- 7300-0412** - Isolated (20-60 Vdc input)
- 7300-0416** - Isolated (72-110 Vdc input)

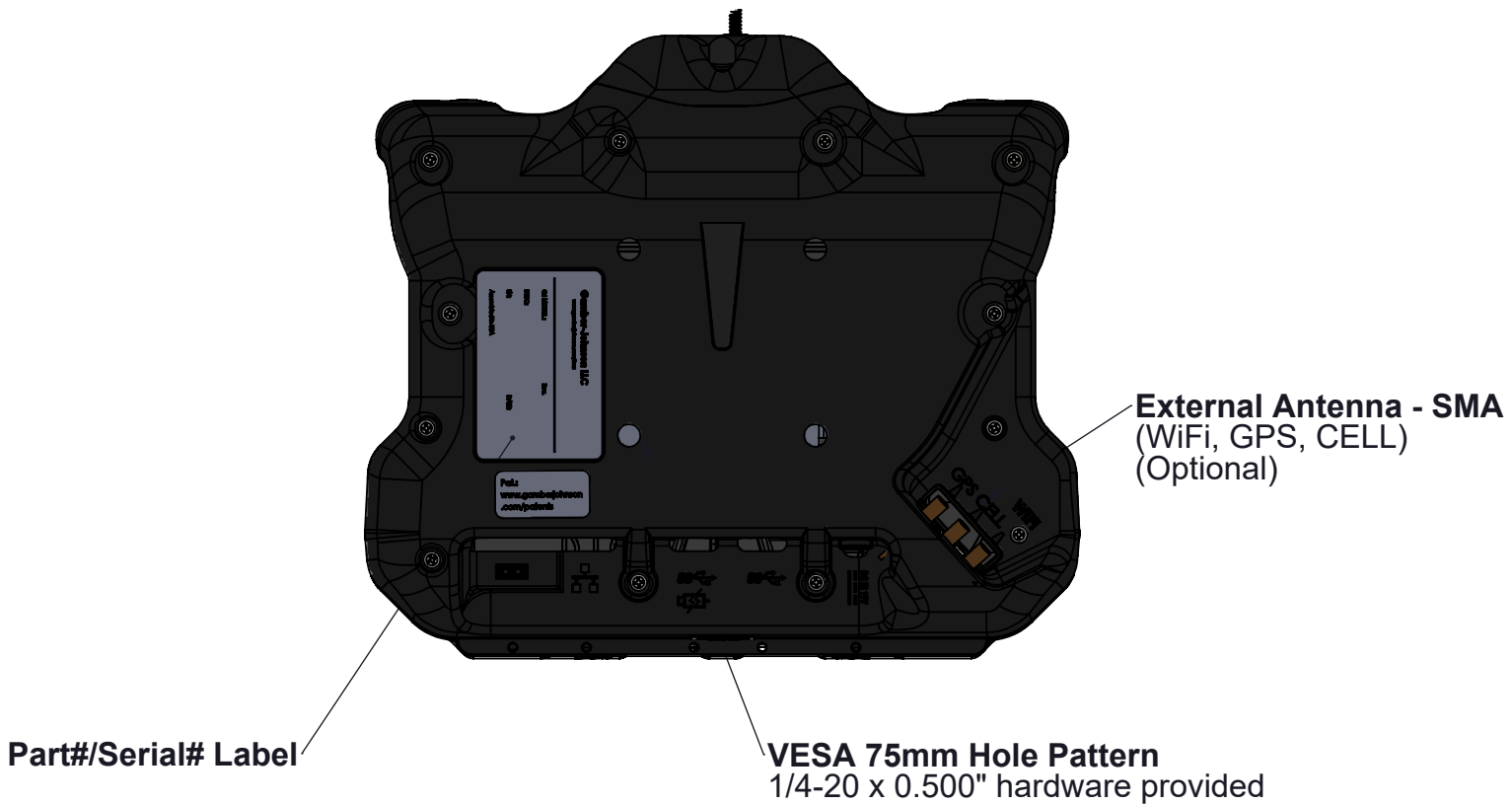
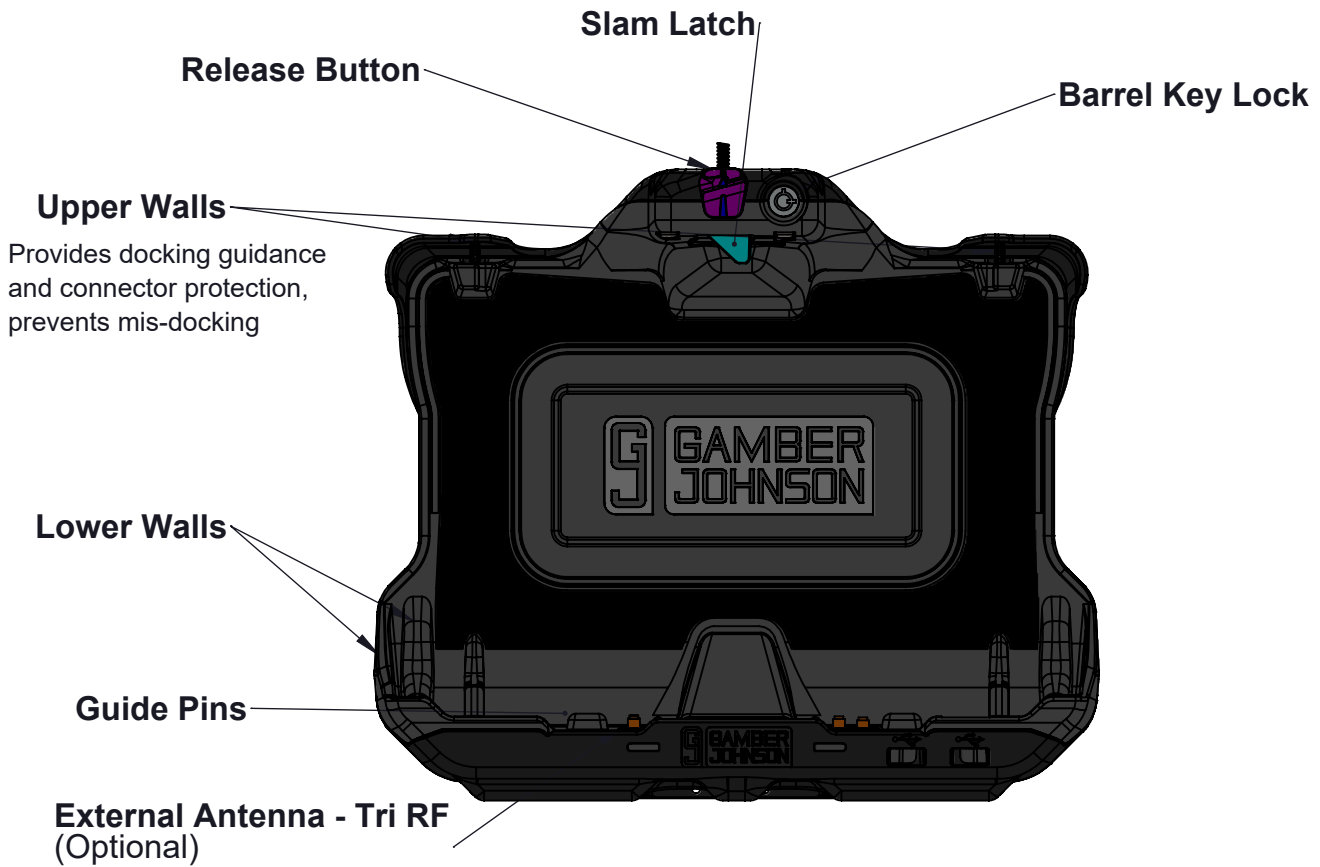


**Product Mounting Disclaimer**  
Gamber-Johnson is not liable under any theory of contract or tort law for any loss, damage, personal injury, special, incidental or consequential damages for personal injury or other damage of any nature arising directly or indirectly as a result of the improper installation or use of its products in vehicle or any other application. In order to safely install and use Gamber-Johnson products full consideration of vehicle occupants, vehicle systems (i.e., the location of fuel lines, brakes lines, electrical, drive train or other systems), air-bags and other safety equipment is required. Gamber-Johnson specifically disclaims any responsibility for the improper use or installation of its products not consistent with the original vehicle manufactures specifications and recommendations, Gamber-Johnson product instruction sheets, or workmanship standards as endorsed through the Gamber-Johnson Certified Installer Program.

© Copyright 2020 Gamber-Johnson, LLC

If you need assistance or have questions, call Gamber-Johnson at 1-800-456-6868

# FEATURE IDENTIFICATION



# DOCKING AND UNDOCKING THE TABLET

## OPERATION - DOCKING

1. Insert the front of the tablet into the front guide pins of the dock. The walls on the dock will guide the tablet into place.
2. Rotate the back of the tablet and push down, overcoming the resistance until an audible click is heard.
3. Optional - With the dock in the "Latched" position, turn the lock to the "LOCKED" position (CW). This will lock the tablet in the dock, and secure the tablet if the screen is closed and latched.



Insert Bottom First



Rotate Tablet into the dock

"Latched Position"



---

## Alternate Hand Position



Insert Bottom First



Rotate Tablet into the dock

"Latched Position"



# DOCKING AND UNDOCKING THE TABLET

"Locked" Position



"Unlocked" Position



## OPERATION - UNDOCKING

1. Turn the lock to the "UNLOCKED" position (CCW).
2. With your thumb press up on the latch mechanism.
3. Remove the tablet by pulling it away from the dock. This can be done with the same hand.



Press up on the latch

Pull tablet away

