



INSTALLATION INSTRUCTIONS

<u>Product</u>	<u>Revision</u>	<u>Form</u>
7160-0515 GETAC V110 DOCKING STATION	Rev. G	INST-625
		Printing Spec: PS-001

This instruction sheet is for the V110 docking station only. For instructions on features, set-up, and operation of the V110 computer, please refer to the manual provided by Getac with the computer.

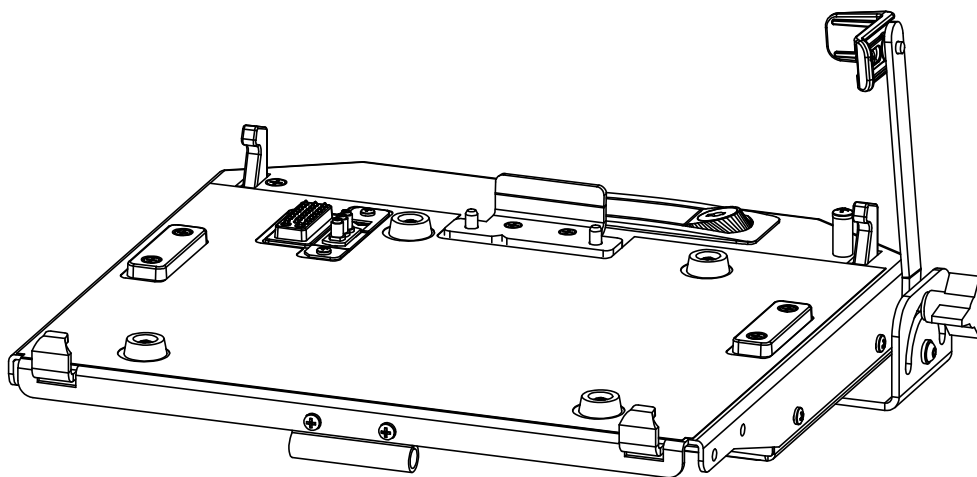
This docking station is designed to be used with a variety of Gamber-Johnson mounting systems. Installation instructions for other Gamber-Johnson products are provided with each individual product.

This instruction sheet is for the following products:

- Item No. 7160-0515-00 Dock - Getac - V110 - No RF**
- Item No. 7160-0515-03 Dock - Getac - V110 - Tri-RF**
- Item No. 7160-0515-10 Dock - Getac - V110 - No RF PWRD RS232**
- Item No. 7160-0515-13 Dock - Getac - V110 - Tri-RF PWRD RS232**

Getac recommends using the following Power Adapters to power the docking station. They can be ordered from Gamber-Johnson separately.

- 7300-0471 - Auto (12-32 Vdc input) - Available with the docking station as KIT 7170-0242 (Non-RF) or 7170-0243 (Tri-RF)**
- 7300-0413 - Isolated (12-32 Vdc input)**
- 7300-0412 - Isolated (20-60 Vdc input)**
- 7300-0416 - Isolated (72-110 Vdc input)**



Product Mounting Disclaimer

Gamber-Johnson is not liable under any theory of contract or tort law for any loss, damage, personal injury, special, incidental or consequential damages for personal injury or other damage of any nature arising directly or indirectly as a result of the improper installation or use of its products in vehicle or any other application. In order to safely install and use Gamber-Johnson products full consideration of vehicle occupants, vehicle systems (i.e., the location of fuel lines, brakes lines, electrical, drive train or other systems), air-bags and other safety equipment is required. Gamber-Johnson specifically disclaims any responsibility for the improper use or installation of its products not consistent with the original vehicle manufactures specifications and recommendations, Gamber-Johnson product instruction sheets, or workmanship standards as endorsed through the Gamber-Johnson Certified Installer Program.

© Copyright 2018 Gamber-Johnson, LLC

If you need assistance or have questions, call Gamber-Johnson at 1-800-456-6868

PRE-INSTALLATION RECOMMENDATIONS

Conduct a "Bench Test"

Gamber-Johnson strongly advises a "bench test" be conducted to verify all electronic and software issues are resolved prior to installation:

1. Make sure the computer is operational by itself.
2. Insert computer into the docking station and verify that the computer is operating in the dock.
3. Interconnect entire assembly and verify start-up of all components, including other equipment (printers, modems, scanners, etc.)

Gamber-Johnson recommends positioning of all mounts and equipment in the vehicle prior to the actual install to verify that mounting locations are safe and practical.

IMPORTANT SAFETY INFORMATION FOR INSTALLERS

Safety is dependent on the proper installation and servicing of this docking station. It is important to read and follow all instructions before installing this product.

To properly install a Gamber-Johnson docking station you must have a good understanding of automotive electrical procedures and systems, along with proficiency in the installation and service of aftermarket vehicle equipment.

There are no adjustments required at any time of the electrical components within the docking station. **Opening the docking station will void the product warranty.**

During Installation:

DO NOT connect this docking station to the vehicle battery until:

1. All other electrical connections are made
2. Mounting of all components is complete
3. Verification that no shorts exist in the entire system

DO NOT install equipment or route wiring or cords in the deployment path of any air bag.

When drilling into the vehicle, DO make sure that both sides of the surface are clear of anything that could be damaged.

CAUTION: *If wiring is shorted to the frame, high current conductors can cause hazardous sparks resulting in electrical fires or flying molten metal.*

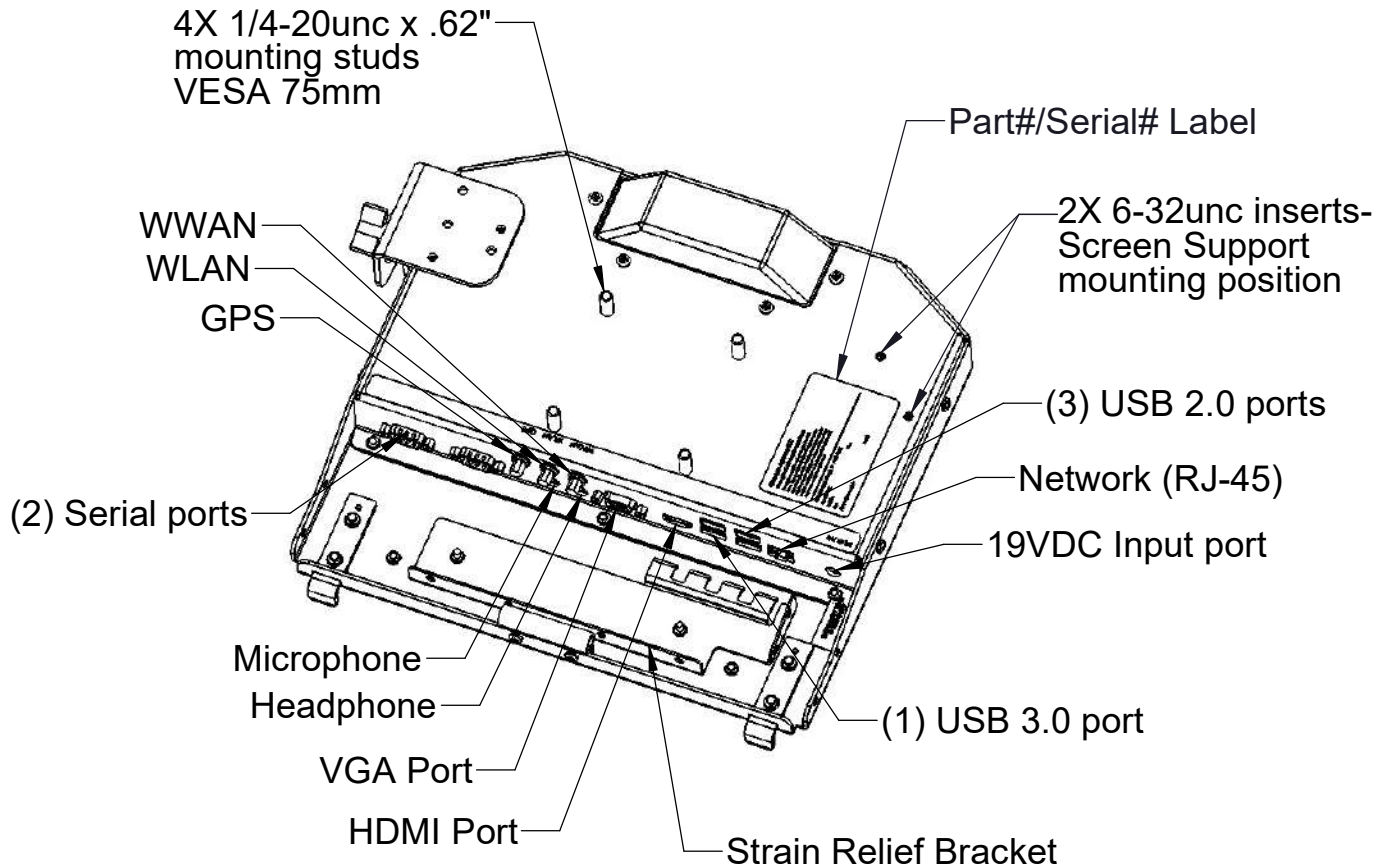
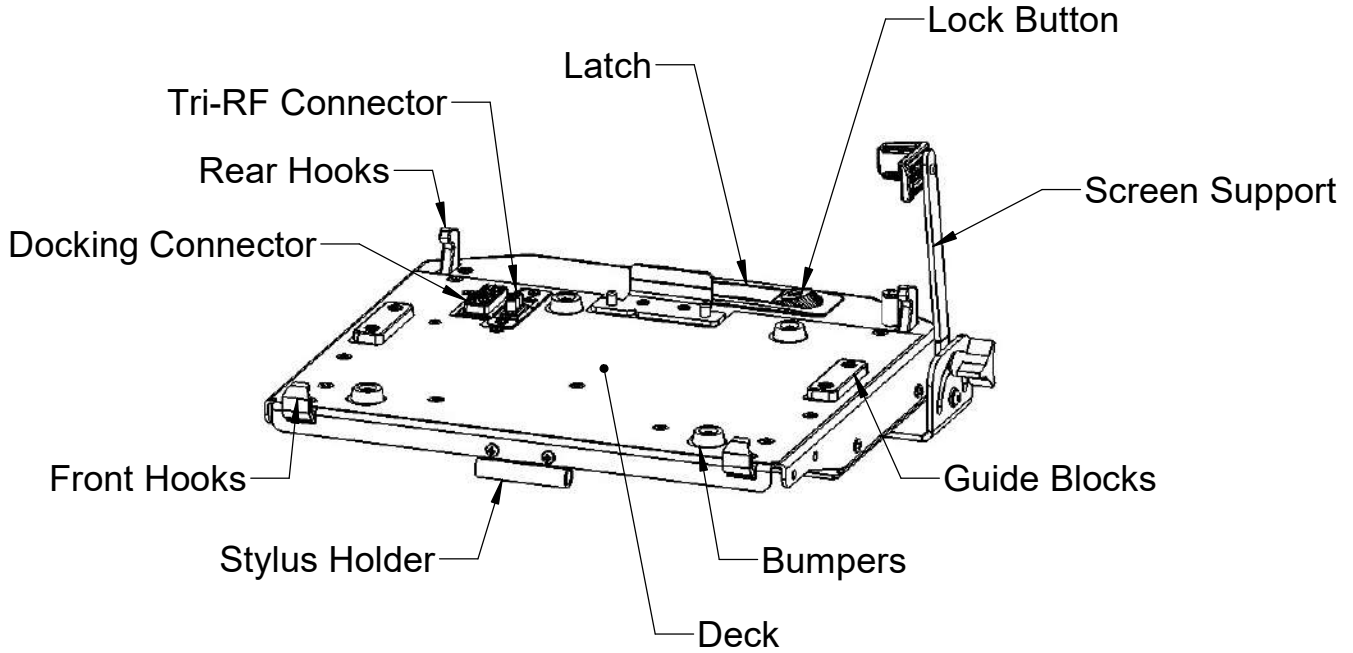
After installation:

Test the docking station to ensure that it is working properly.

File these instructions in a safe place and refer to them when performing maintenance or re-installing.

WARNING: *Failure to follow all safety precautions and instructions may result in property damage, serious injury, or death.*

V110 DOCKING STATION FEATURE IDENTIFICATION



DOCKING AND UNDOCKING THE COMPUTER

DOCKING THE COMPUTER

1. Turn the computer off.
2. Un-latch the dock, making sure the rear hooks move backward (Figure 1).
3. With the computer held at an angle, place the two notches on the front edge of the computer into the front hooks. (Figure 2)
4. Lower the computer down on to the dock.
5. While pushing the computer down, to compress the docking connector, close the latch to engage the rear hooks into the notches on the back edge of the computer. (Figure 3)
6. Lock the latch, if required, for security.
7. Adjust the position of the screen support. (Figure 4)

UNDOCKING THE COMPUTER

1. Turn the computer off. Move screen support back, close display.
2. Unlock latch, if locked.
3. Press the Lock Button on the latch. The latch will spring open and the rear hooks will disengage from the computer case.
4. Lift computer up off dock, back edge first.

Figure 1



Figure 2



Figure 3



Figure 4



Screen Support Installation

Screen supports are recommended on all laptop dock/cradles in high-vibration environments.

- (1) screen support is included with each Getac V110 assembly, another may be purchased from www.GamberJohnson.com. Part Number: 7110-1023



Screen Support Mounting Locations

Use supplied #6-32 screws to attach included screen support to the left or right mounting location, do not over-torque screws.

Reccomended torque is 8-11 in/lbs.



Regulatory Certification Information

Regulatory Model #: 7160-0515

GJ Model #'s & Description:

7160-0515-00	Dock - Getac - V110 - No RF
7160-0515-03	Dock - Getac - V110 - Tri-RF
7160-0515-10	Dock - Getac - V110 - No RF PWRD RS232
7160-0515-13	Dock - Getac - V110 - Tri-RF PWRD RS232

Certifications:

- EN 55022:2010 CISPR 22:2008 Class B
- EN 50498:2010
- EN 50581:2012
- E-Mark

This device complies with Part 15 of the FCC Rules. Operation is subject to the following two conditions. (1) this device may not cause harmful interference, and (2) this device must accept any interference received, including interference that may cause undesired operation.



Gamber-Johnson LLC, 3001 Borham Ave., Stevens Point, WI, 54481, USA, 715-344-3482